



SPECIFICATION



Plant UFO L10P



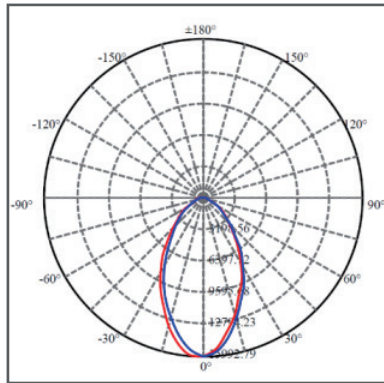
TECHNICAL SPECIFICATIONS

Power	Voltage	Efficacy	Max Flux	CCT	CRI	Beam angle
100W	AC200~240V	120 LM/W	12000 LM	5000K	≥80	60°/90°/110°
150W	AC200~240V	120 LM/W	18000 LM	5000K	≥80	60°/90°/110°

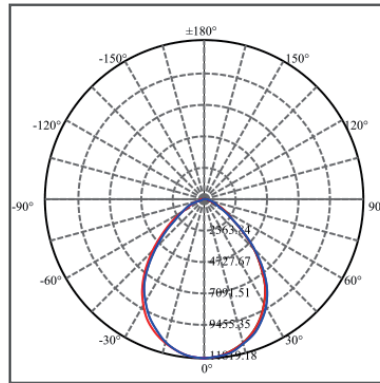
ELECTRICAL PERFORMANCE

Electricity	Requirements	
Power	100W	150W
Input voltage	AC200~240V	
Frequency	50/60Hz	
Input current (@230Vac&Max power)	0.48A	0.72A
Input power	100W±10%	150W±10%
Power factor	≥0.9@230Vac&Max Power	
THD	≤15%@230Vac&Max Power	
Driver type	ClassI Non-isolated	
Surge	6KV/6KV	
Driver Brand	LIFUD LF-FHB120YA	LIFUD LF-FHB150YA
Color switch mode	Switching on power (lamp power on default 5000K light, power off < 3s switch to green power, power off > 5s 5000K light)	
LED	Seoul SMD2835 9V1W (5000K/GREEN)	
LED quantity	270PCS	378PCS
LED series parallel	27S5P*2	27S7P*2
PCBA	390mA	590mA
Efficacy(LM/W)	120±5%	120±5%
Max Flux(LM)	12000±5%	18000±5%
CCT@ANSI	5000K (±300K) GREEN (Dominate Wavelength 530-540nm)	
CRI	80Ra@5000K	
SDCM@ANSI	≤5@5000K	
Beam angle	60° / 90° / 110°	
Lamp body color	RAL 9006	
Installation method	Hook installation(Standard)/Bracket installation(Optional)	
Cable length (mm)±5°	3*1.0mm ² ,cable length 300mm±15mm	
Lens material	PC (Teijin 1250Z & LEV2200KL)	
IP Rate	IP65	
(Reflector)	PC/AL1060(Optional)	
IK Rate	IK08	
Package	Natural Package	
Storage Temperature/Humidity	-30°C~ 60°C / 30% ~ 70%RH	
Working Temperature/Humidity	-30°C~+45°C / 30%~70%RH	

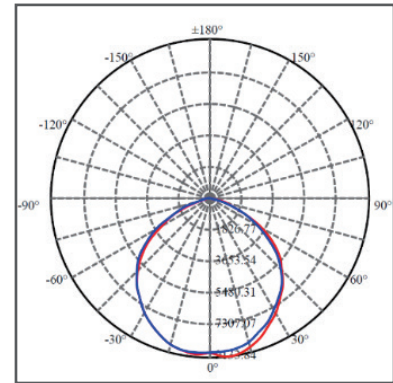
LIGHT DISTRIBUTION CURVE



60°

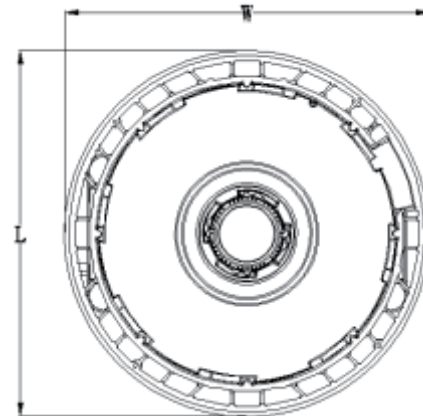
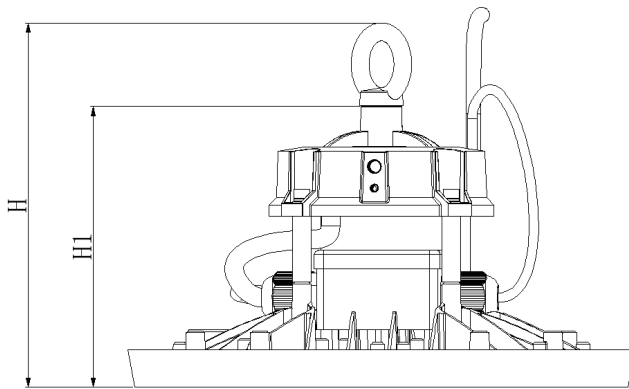


90°



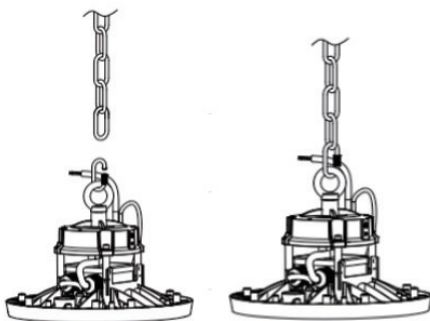
110°

DIMENSION DRAWING

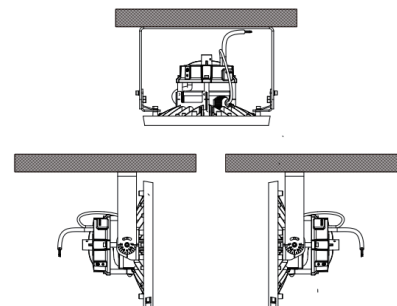


Lumen	Width (W)	Long (L)	Height (H)	Height (H1)	NW
12000lm	270±5mm	270±5mm	194±5mm	149.5±5mm	3.34KG±0.3KG
18000lm	330±5mm	330±5mm	194±5mm	149.5±5mm	3.85KG±0.3KG

INSTALLATION METHOD



Hook installation



Bracket installationn